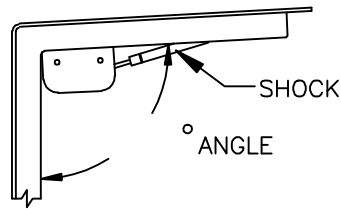
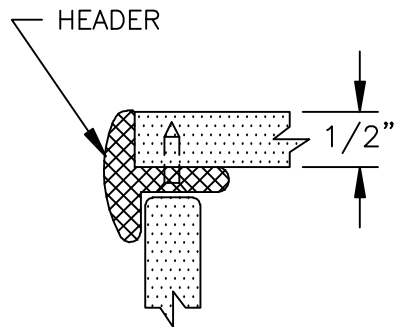


# CABIN DOOR WITH HATCH

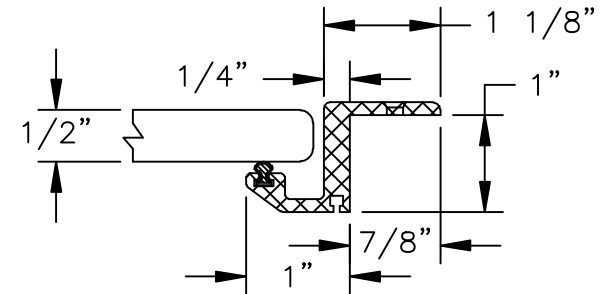
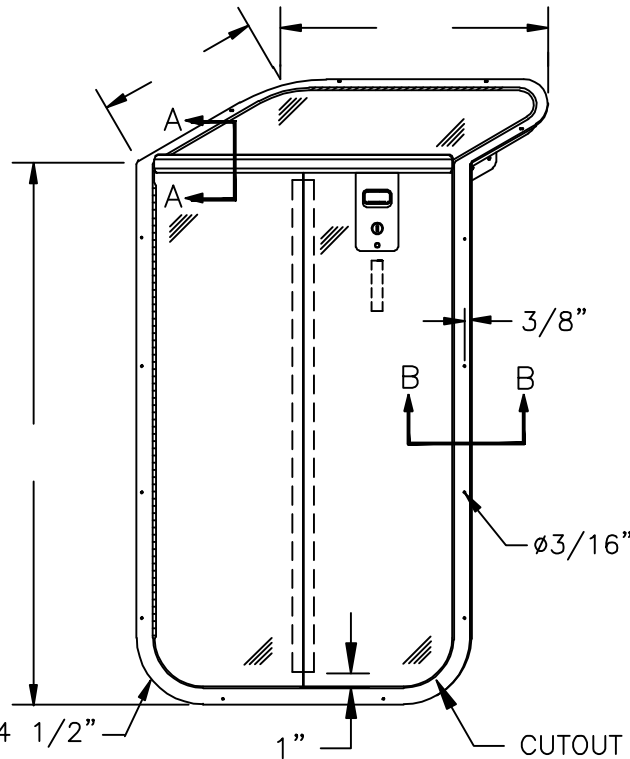
POWDER COATED ALUMINUM FRAME  
EXTRUSION #2063



FRAME DETAIL




SECTION A - A



SECTION B - B

- NOTES:
1. BENT ALUMINUM POWDER COATED FRAME WITH SLIDE IN WATER SEAL
  2. DOOR OPTIONS: PLEXIGLASS OR STARBOARD
  3. STAINLESS STEEL PIANO HINGES
  4. MOBELLA MS SECURE LOCK (OTHER LATCH OPTIONS AVAILABLE)
  5. GAS SHOCK
  6. ALUMINUM POWDER COATED HEADER
  7. LOUVERS CAN BE ADDED FOR VENTILATION

- NOTES:
1. DIMENSIONS ARE OUTSIDE MEASUREMENTS (CUTOUT DIMENSIONS CAN BE DETERMINED BY REDUCING THE HEIGHT OF DOOR AND DEPTH OF HATCH DIMENSIONS BY 7/8", AND REDUCING THE WIDTH OF DOOR BY 1 3/4")
  2. NEED DECK ANGLE OF DOOR AND HATCH INTERSECTION
  3. NEED MAXIMUM HEIGHT OF HATCH IN THE OPEN POSITION FOR SHOCK PLACEMENT
  4. SPECIFY DOORS IS HINGE TO THE RIGHT OR LEFT

 <b>Teak Isle, Mfg.</b> 401 Capitol Court P.O. Box 417 Ocoee, FL 34761	COMPANY NAME:		MODEL: *
	<b>TITLE:</b> <b>CABIN DOOR WITH HATCH</b>		DRAWN BY: <i>Randy Beckwith</i> SHEET 1 OF 1
	PART#: SAMPLE 43		DATE: 1/2007
			TOLERANCES: ±1/32" SCALE: NTS