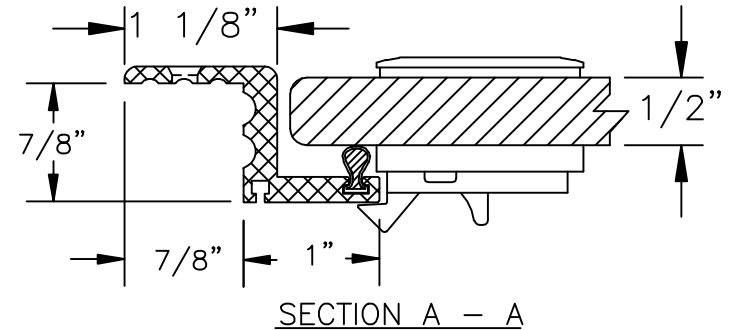
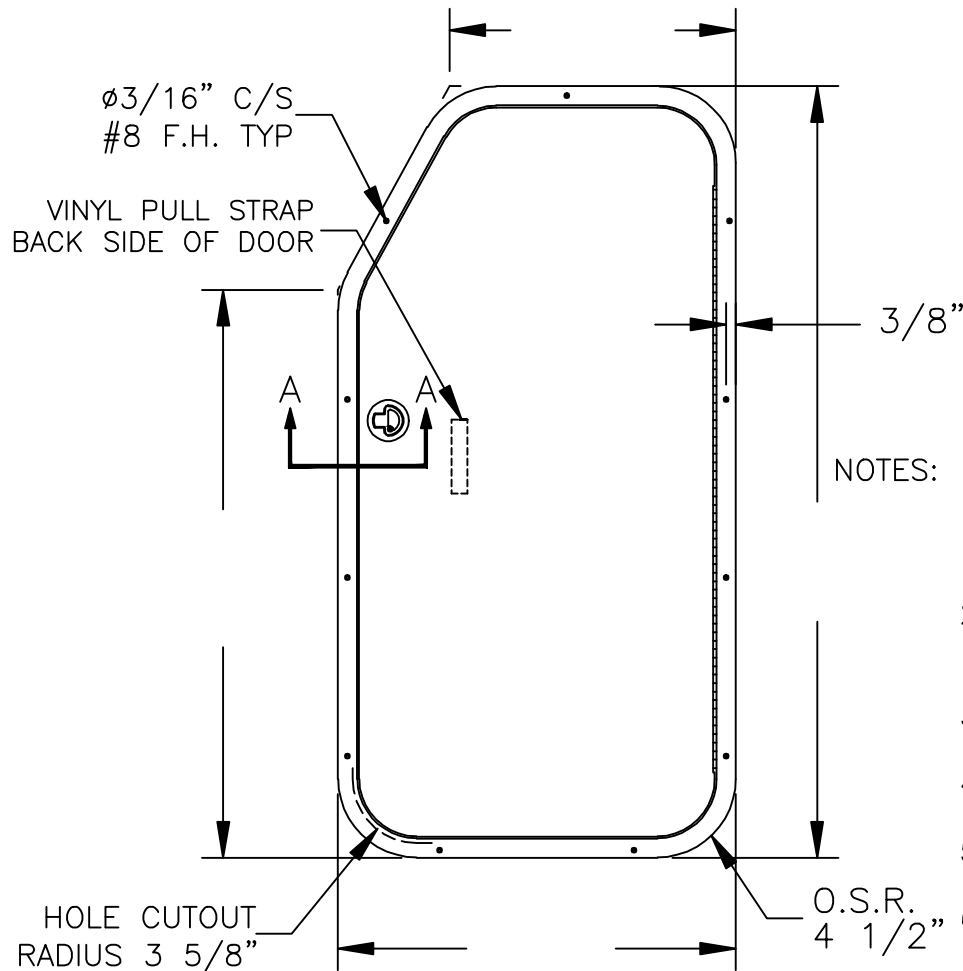


CENTER CONSOLE DOOR, FIVE SIDED

**POWDER COATED ALUMINUM FRAME
EXTRUSION #2062
WITH FLUSH PULL LATCH**



- NOTES: 1. DIMENSIONS ARE OUTSIDE MEASUREMENTS (CUTOUT DIMENSIONS CAN BE DETERMINED BY REDUCING OUTSIDE DIMENSIONS BY $1 \frac{3}{4}$ ")
2. BENT ALUMINUM POWDER COATED FRAME WITH SLIDE IN WATER SEAL
 3. DOOR OPTIONS: PLEXIGLASS OR STARBOARD
 4. STAINLESS STEEL PIANO HINGE
 5. LOCKING FLUSH LATCH IN STAINLESS STEEL OR PLASTIC
 6. LOUVERS CAN BE ADDED FOR VENTILATION



COMPANY NAME:	MODEL: *	
TITLE: CENTER CONSOLE DOOR, FIVE SIDED W/ FLUSH PULL LATCH	DRAWN BY: <i>Randy Beckwith</i>	SHEET <u>1</u> OF <u>1</u>
PART#: SAMPLE 23	TOLERANCES: $\pm 1/32$"	SIZE DWG. A
	DATE: 1/2007	SCALE: NTS
	CAD/CAM #: *	