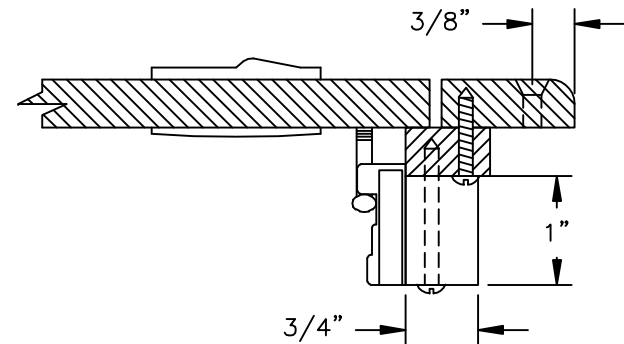
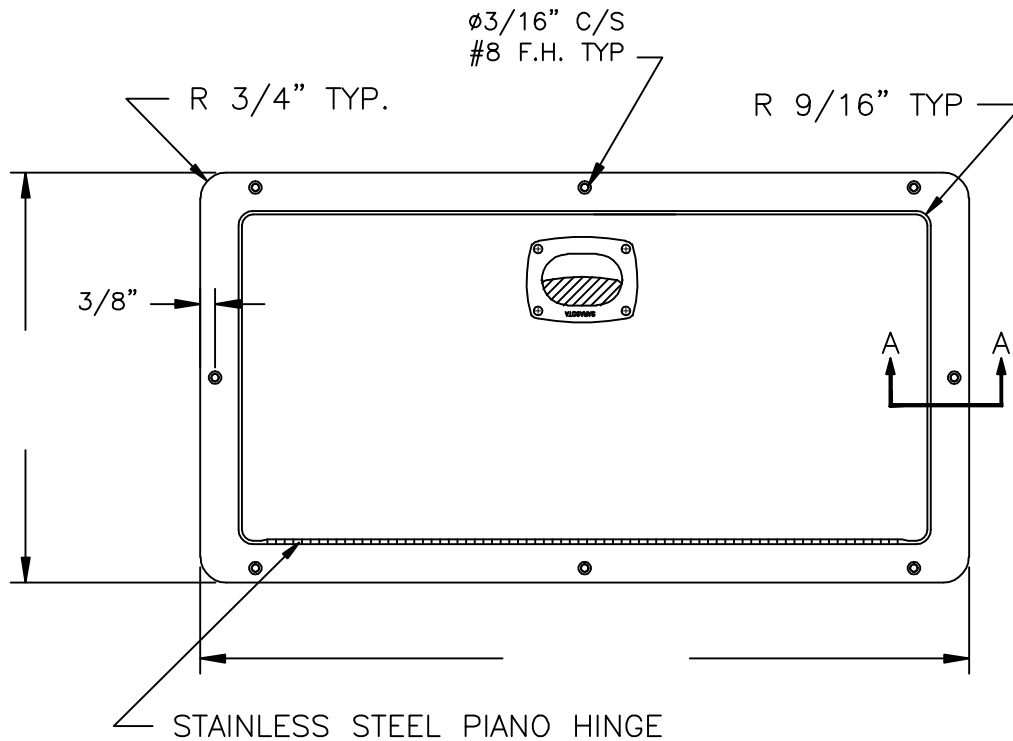
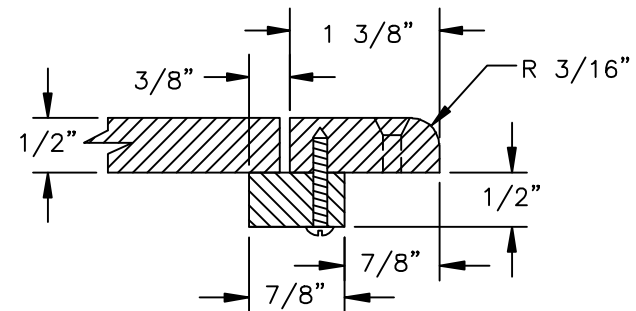


# ACCESS DOOR

## STARBOARD FRAME/ STARBOARD DOOR




CROSS-SECTION OF FRAME SHOWING CATCH MOUNTING AREA.



SECTION A - A

NOTES: 1. DIMENSIONS ARE OUTSIDE MEASUREMENTS (CUTOUT DIMENSIONS CAN BE DETERMINED BY REDUCING OUTSIDE DIMENSIONS BY 1 3/4")

2. STARBOARD DOOR & FRAME
3. STAINLESS STEEL PIANO HINGE
4. FLUSH PULL HANDLE
5. FRICTION CATCH

 <b>Teak Isle, Mfg.</b> 401 Capitol Court P.O. Box 417 Ocoee, FL 34761	COMPANY NAME:		MODEL: *	
	<b>TITLE:</b> ACCESS DOOR WITH FRICTION CATCH		DRAWN BY: <i>Randy Beckwith</i>	
	PART#: SAMPLE 6		DATE: 2/2002	SHEET 1 OF 1 SIZE DWG. A
			CAD/CAM #: *	SCALE: NTS